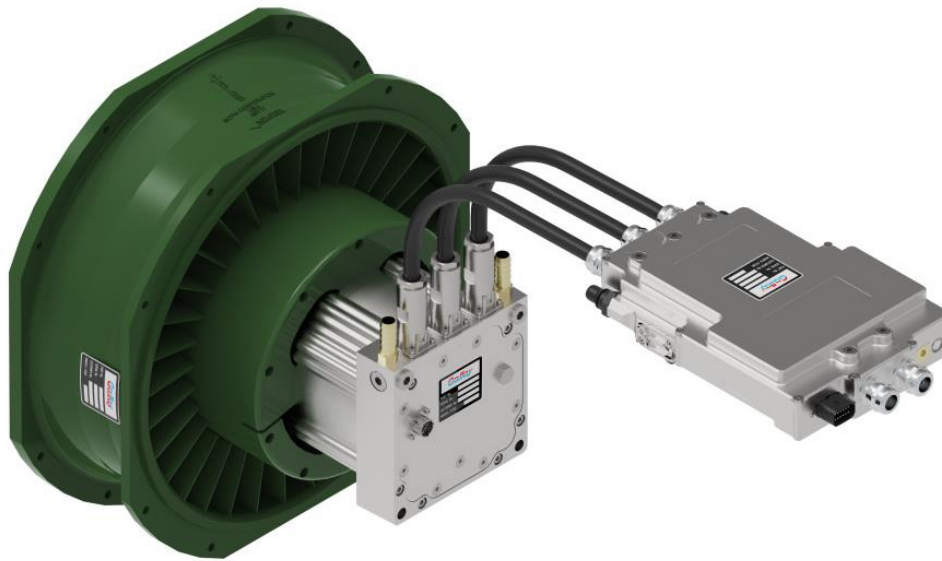
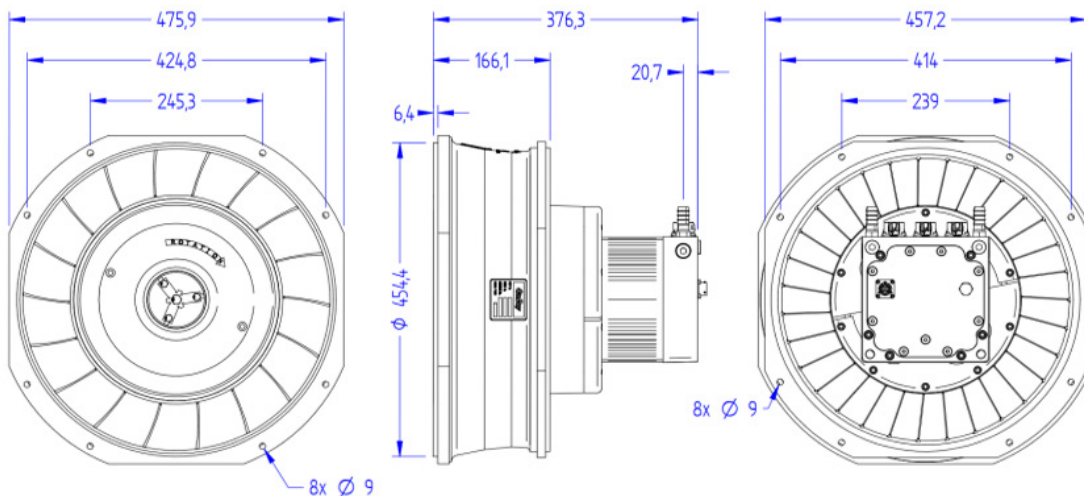




## High Voltage Cooling Fan with Inverter



### Dimensions



### Specification

- High performance, high efficiency, blowing fan
- Suitable for engine cooling for military vehicles
- Weight of fan & motor assembly 59kgs
- CAN communication via calibrated tuned 150kW inverter
- Speed or torque control
- Typical performance at 6000rpm: 50kW fan power, 5kPa, 5.25kg/s
- Front and back mounting flanges
- Coolant cooled motor and inverter
- Other sizes and configurations available on request

#### Contact:

Gallay Ltd  
Paterson Road  
Wellingborough  
Northants, NN8 4BZ

**Tel:** +44 (0)1933 224801  
**Fax:** +44 (0)1933 279902  
**Email:** sales@gallay.co.uk  
**Web:** www.gallay.co.uk



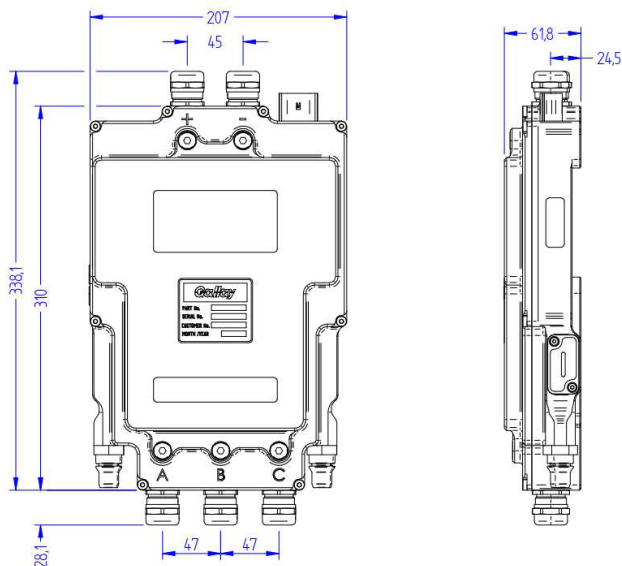
Engine Cooling Systems

Engine Cooling Systems



## High Voltage DC Mixed Flow Cooling Fan

### Calibrated Inverter



Up to 150kW

4.8 kg

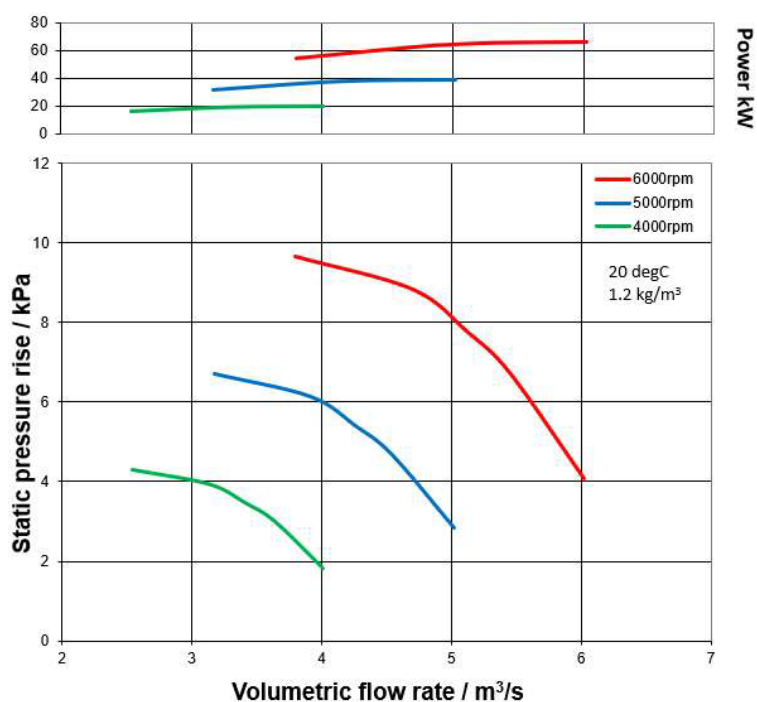
400V - 800V

Max Voltage 820 VDC

Max Passive DC link voltage 900 VDC  
 Maximum current 250 Arms  
 Continuous Power @ 800V 150 kW  
 Converter Switching Frequency 5-15 kHz  
 LV Supply 9-28 VDC

Active Short Circuit  
 MISRA-C Compliant  
 Torque, Speed Iq/Iq control  
 Resolver, Encoder, xMR, sensorless  
 Cables 35,50,70 mm<sup>2</sup>  
 ASIL-D rated hardware  
 3 cores, 6 lockstep  
 Temp Range -40deg to +85degC  
 EVITA HSM ready  
 Water-Glycol, 4.6 ltrs, 6-12 lpm

### Fan Performance



#### Contact:

Gallay Ltd  
 Paterson Road  
 Wellingborough  
 Northants, NN8 4BZ

Tel: +44 (0)1933 224801  
 Fax: +44 (0)1933 279902  
 Email: sales@gallay.co.uk  
 Web: www.gallay.co.uk